

# W A N



“

Perfect! Easy to install, beautifully built. Highly recommend!

- Chloe

**PROP 65 WARNING FOR CALIFORNIA RESIDENTS**  
 WARNING: These products can expose you to chemicals such as formaldehyde, lead or styrene, which are known to the State of California to cause cancer and birth defects or other reproductive harm. For more information go to [www.P65Warnings.ca.gov](http://www.P65Warnings.ca.gov)





Let's face it – the bathroom is usually one of the hardest areas to keep tidy with all those odds and ends...at least, it used to be. Now organizing your bathroom is easy with all the storage solutions in Rev-A-Shelf's Bathroom and Vanity Accessory line. Hide your unsightly garbage with a pullout waste container, keep dirty clothes off the floor with a removable pullout hamper, expand your bathroom drawer, neatly arrange makeup and more with a cosmetic organizer and power-up your vanity with an electrical drawer or pullout. The choices are limitless. In this section, you'll find everything you need to keep your bathroom organized.

Waste

Blind Corner

Sink

Base

Tall

Drawer

Wall

Vanity

Closet

Lazy Susan

LED Lighting



SCAN FOR PRICING!



- Designed for 12" full-height vanity cabinets with 1-3/4", 1-1/2" and 1-5/8" face frames
- Natural maple construction with semi-gloss finish
- (2) shelves with acrylic accents
- Full-extension, BLUM soft-close undermount slides
- Patented foldable slide set for easy installation (US Patent No. 10,799,020)
- Mounts to cabinet door, floor and side
- Patented door mount brackets provide 5" of adjustability and include micro-trim adjuster (US Patent No. 8,388,076)
- Non-skid vinyl lining
- (2) removable stainless steel bins
- In-drawer receptacle with (2) 120V plugs
- Tamper-resistant outlets
- Max Current: AC: 12 amps @ 120VAC
- UL Recognized to UL962/CSA-C22.2 no. 0-10
- Power cord with NEMA 5 - 15 plug
- Integrated cord guide ensures safe operation
- Drawer stop prevents items from being stored "ON" inside the cabinet
- Its end use determines the overall safety of this product
- US Patent No. 20210022492A1
- TSCA Title VI compliant



445-VBOSC-8C



445-VBOSC-8C  
Outlet Grooming Organizer



For video visit:  
[rev-a-shelf.com/videos](http://rev-a-shelf.com/videos)



**Face Frame Vanity Outlet Grooming Organizer Pullout w/ BLUMOTION Soft-Close**

PRODUCT	DESCRIPTION	DIMS	MCO	CAB	FINISH	SLP
445-VBOSC-8C	Grooming Organizer	9-9/32" (236 mm) W x 19-23/32" (501 mm) D x 26-1/8" (664 mm) H	8-1/2" (216 mm) - FF 9-1/2" (241 mm) - FL	FHVB12	Maple	\$942.05





SCAN FOR PRICING!

# Vanity Outlet Drawer

## 4VOD Series



4VOD-18SC-1

- Designed for 18" base cabinet drawers
- Natural maple construction with semi-gloss finish
- (2) compartments
- (2) stainless steel bins
- Full-extension, BLUM soft-close undermount slides
- In-drawer receptacle with (2) 120V plugs
- Tamper resistant outlets
- Max Current: AC: 12 amps @ 120VAC
- UL Recognized to UL962/CSA-C22.2 No. 0-10
- Power cord with NEMA 5 - 15 plug
- Integrated cord guide ensures safe operation
- Patented design prevents items from being accidentally left plugged in when unit is closed (US PATENT No. 11,070,038)
- Door mounting brackets
- Anti-skid lining
- Drawer front not included
- The overall safety of this product is determined by its end use
- TSCA Title VI compliant



4VOD-18SC-1 & 4VOD-18FLSC-1  
Vanity Outlet Drawer



For video visit:  
[rev-a-shelf.com/videos](http://rev-a-shelf.com/videos)



### Full Access Vanity Outlet Drawer w/ BLUMOTION Soft-Close

PRODUCT	DESCRIPTION	DIMS	MCO	CAB	FINISH	SLP
4VOD-18FLSC-1	Vanity Outlet Drawer	16-1/2" (419 mm) W x 20-3/32" (511 mm) D x 8-29/32" (227 mm) H	16-1/2" (419 mm)	FLVB18	Maple	\$646.70

### Face Frame Vanity Outlet Drawer w/ BLUMOTION Soft-Close

4VOD-18SC-1	Vanity Outlet Drawer	15" (381 mm) W x 20-1/2" (521 mm) D x 8-29/32" (227 mm) H	15" (381 mm)	VB18	Maple	\$660.35
-------------	----------------------	---	--------------	------	-------	----------



SCAN FOR PRICING!

- Designed for 22" or smaller vanity cabinet drawers
- Natural maple construction with semi-gloss finish
- Trim-to-fit existing drawer
- Drop-in installation
- Anti-skid vinyl lining
- Up to (13) compartments
- (2) clear acrylic lids
- TSCA Title VI compliant



4VCOS-22-1



4VCOS-22-1

Vanity Drawer Organizer Insert



For video visit:  
[rev-a-shelf.com/videos](http://rev-a-shelf.com/videos)

**22" Vanity Drawer Organizer Insert**

PRODUCT	DESCRIPTION	DIMS	FINISH	SLP
4VCOS-22-1	Vanity Drawer Organizer	21-3/4" (552 mm) W x 21-1/8" (537 mm) D x 2" (51 mm) H	Maple	\$170.40

Waste

Blind Corner

Sink

Base

Tal

Drawer

Wall

Vanity

Closet

Lazy Susan

LED Lighting



SCAN FOR PRICING!

# Scale Holder

## 4SH Series

Waste

Blind Corner

Sink

Base

Tall

Drawer

Wall

Vanity

Closet

Lazy Susan

LED Lighting



- Designed for 15" vanity base cabinets
- Scale clip holds a min. thickness of 0.8" to 2.0" max.
- Natural maple frame with semi-gloss finish
- Torsion spring with non-skid coating
- Patented adjustable door mount brackets provide up to 5" of adjustability (US Patent No. 7,204,569)
- TSCA Title VI compliant

4SH-15-1



Can be used for a multitude of things such as cutting boards, cookbooks and more.

4SH-15-1  
Scale Holder



For video visit:  
[rev-a-shelf.com/videos](http://rev-a-shelf.com/videos)

### Scale Holder

PRODUCT	DESCRIPTION	DIMS	MCO	CAB	FINISH	SLP
4SH-15-1	Scale Holder	10-1/2" (267 mm) W x 3-5/8" (92 mm) D x 12-1/2" (318 mm) H	12" (305 mm)	VB15	Chrome/Maple	\$129.80



SCAN FOR PRICING!

- Designed for 30" vanity base (butt door) cabinets
- Natural maple frame with semi-gloss finish
- Mounts to cabinet door
- Non-skid lining on lower level shelf
- (2) 1.25 qt. stainless steel bins
- Patented adjustable door mount brackets provide up to 5" of adjustability (US Patent No. 7,204,569)
- TSCA Title VI compliant



4HD-15-1



4HD-15-1

Vanity Appliance Storage Rack



For video visit:  
[rev-a-shelf.com/videos](http://rev-a-shelf.com/videos)

### Vanity Appliance Storage Rack

PRODUCT	DESCRIPTION	DIMS	MCO	CAB	FINISH	SLP
4HD-15-1	Storage Rack	10-3/4" (273 mm) W x 6" (152 mm) D x 13-7/8" (352 mm) H	12-3/8" (314 mm)	SB30 Butt	Maple	\$124.85





SCAN FOR PRICING!

# Pullout Ironing Board

## VIB Series



- Designed for 14-1/2" to 21" vanity cabinet drawer openings
- Complete drawer system, just add your drawer front
- Chrome-plated metal frame
- Over-extension, ball-bearing, 150 lb. rated slides
- Mounts to cabinet side and rear wall
- Built-in ironing board

VIB-20CR

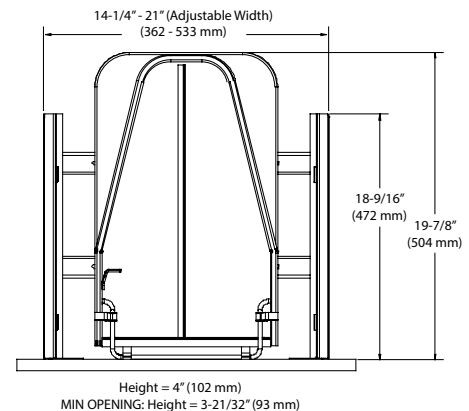


Solid surface counter overlays CANNOT exceed 1-1/4"



**VIB-20CR**  
Vanity Pullout Ironing Board

See closet section (page 326) for more ironing board solutions



**NOTE:** Not Compatible with inset cabinetry

### Vanity Pullout Ironing Board

PRODUCT	DESCRIPTION	DIMS	MCO	CAB	FINISH	SLP
VIB-20CR	Pullout Ironing Board	See drawings for detailed specifications.	14-1/4" (362 mm)	VB18	Chrome	\$394.40
RAS-VIB-COVER-52	Replacement Cover				Silver	\$34.95

Waste  
Blind Corner  
Sink  
Base  
Tail  
Drawer  
Wall  
Vanity  
Closet  
Susan  
Lazy  
LED  
Lighting





SCAN FOR PRICING!



- Designed for 12", 15" and 18" vanity base cabinet drawers
- Complete drawer system, just add your drawer front
- Easy installation
- Natural maple construction with semi-gloss finish
- Full-extension, BLUM soft-close undermount slides
- Up to (7) compartments and up to (5) acrylic bins
- Non-skid vinyl lining
- Mounts to cabinet side and rear wall
- Figure 8 door mounting brackets
- TSCA Title VI compliant



**4VDOHT-15SC-1**  
Half-Tier Vanity Drawer  
(15" version shown)



**4VDOT-276FLSC-1**  
Tiered Vanity Drawer  
(12" full access version shown)



Half-tiered drawers allow taller products to be stored in front of drawer



For video visit:  
[rev-a-shelf.com/videos](http://rev-a-shelf.com/videos)

### Full Access Vanity Drawer w/ BLUMOTION Soft-Close

PRODUCT	DESCRIPTION	DIMS	MCO	CAB	FINISH	SLP
4VDO-267FLSC-1	Single Drawer	10-1/2" (267 mm) W x 18-11/16" (475 mm) D x 4-5/16" (110 mm) H	10-1/2" (267 mm)	FLVB12	Maple	\$186.75
4VDOT-267FLSC-1	Tiered Drawer	10-1/2" (267 mm) W x 18-11/16" (475 mm) D x 8" (203 mm) H	10-1/2" (267 mm)	FLVB12	Maple	\$290.45
4VDOHT-267FLSC-1	Half-Tiered Drawer	10-1/2" (267 mm) W x 18-11/16" (475 mm) D x 8" (203 mm) H	10-1/2" (267 mm)	FLVB12	Maple	\$277.80
4VDO-343FLSC-1	Single Drawer	13-1/2" (343 mm) W x 18-11/16" (475 mm) D x 4-5/16" (110 mm) H	13-1/2" (343 mm)	FLVB15	Maple	\$217.80
4VDOT-343FLSC-1	Tiered Drawer	13-1/2" (343 mm) W x 18-11/16" (475 mm) D x 8" (203 mm) H	13-1/2" (343 mm)	FLVB15	Maple	\$332.90
4VDOHT-343FLSC-1	Half-Tiered Drawer	13-1/2" (343 mm) W x 18-11/16" (475 mm) D x 8" (203 mm) H	13-1/2" (343 mm)	FLVB15	Maple	\$305.95
4VDO-419FLSC-1	Single Drawer	16-1/2" (419 mm) W x 18-11/16" (475 mm) D x 4-5/16" (110 mm) H	16-1/2" (419 mm)	FLVB18	Maple	\$245.65
4VDOHT-419FLSC-1	Half-Tiered Drawer	16-1/2" (419 mm) W x 18-11/16" (475 mm) D x 8" (203 mm) H	16-1/2" (419 mm)	FLVB18	Maple	\$335.95

### Face Frame Vanity Drawer w/ BLUMOTION Soft-Close

4VDO-12SC-1	Single Drawer	9" (229 mm) W x 18-11/16" (475 mm) D x 4-5/16" (110 mm) H	9" (229 mm)	VB12	Maple	\$204.60
4VDOT-12SC-1	Tiered Drawer	9" (229 mm) W x 18-11/16" (475 mm) D x 8" (203 mm) H	9" (229 mm)	VB12	Maple	\$273.45
4VDOHT-12SC-1	Half-Tiered Drawer	9" (229 mm) W x 18-11/16" (475 mm) D x 8" (203 mm) H	9" (229 mm)	VB12	Maple	\$256.65
4VDO-15SC-1	Single Drawer	12" (305 mm) W x 18-11/16" (475 mm) D x 4-5/16" (110 mm) H	12" (305 mm)	VB15	Maple	\$207.05
4VDOT-15SC-1	Tiered Drawer	12" (305 mm) W x 18-11/16" (475 mm) D x 8" (203 mm) H	12" (305 mm)	VB15	Maple	\$314.20
4VDOHT-15SC-1	Half-Tiered Drawer	12" (305 mm) W x 18-11/16" (475 mm) D x 8" (203 mm) H	12" (305 mm)	VB15	Maple	\$289.00
4VDO-18SC-1	Single Drawer	15" (381 mm) W x 18-11/16" (475 mm) D x 4-5/16" (110 mm) H	15" (381 mm)	VB18	Maple	\$235.50
4VDOT-18SC-1	Tiered Drawer	15" (381 mm) W x 18-11/16" (475 mm) D x 8" (203 mm) H	15" (381 mm)	VB18	Maple	\$349.30
4VDOHT-18SC-1	Half-Tiered Drawer	15" (381 mm) W x 18-11/16" (475 mm) D x 8" (203 mm) H	15" (381 mm)	VB18	Maple	\$319.70



# U-Shaped Vanity Pullout

## 486 Series

SCAN FOR PRICING!



- Designed for 30" vanity sink base cabinets
- Natural maple construction with semi-gloss finish
- Full-extension, BLUM soft-close undermount slides
- Mounts to cabinet floor or side walls
- Side and bottom mount brackets
- (4) adjustable dividers, (1) 8 L waste container w/ white lid (BM), or (4) adjustable dividers and (2) removable polycarbonate bins (SM)
- Non-skid vinyl lining
- TSCA Title VI compliant

486-30VSBSC-BM-1



Can be door mounted



**486-30VSBSC-BM-1**  
Maple U-Shaped Pullout  
w/ (4) Adjustable Dividers and  
(1) 8 L Container  
*(Bottom mount unit shown)*



**486-30VSBSC-SM-1**  
Maple U-Shaped Pullout  
w/ (4) Adjustable Dividers and  
(2) Acrylic Bins  
*(Side mount unit shown)*



For video visit:  
[rev-a-shelf.com/videos](http://rev-a-shelf.com/videos)

### U-Shaped Vanity Pullout w/ BLUMOTION Soft-Close

PRODUCT	DESCRIPTION	DIMS	MCO	CAB	FINISH	SLP
486-30VSBSC-BM-1	Bottom Mount	25-5/8" (652 mm) W x 18-11/16" (475 mm) D x 14-1/4" (362 mm) H	25" (635 mm) - FF 25-3/4" (654 mm) - FL	VSB30	Maple	\$416.15
486-30VSBSC-SM-1	Side Mount	27-17/32 - 28-3/4" (700 - 730 mm) W x 19 - 20-3/4" (483 - 527 mm) D x 6-1/2" (165 mm) H	25" (635 mm) - FF	VSB30	Maple	\$388.00

Waste

Blind Corner

Sink

Base

Tail

Drawer

Wall

Vanity

Closet

Lazy Susan

LED Lighting

# 441 Series

# L-Shaped Vanity Organizer



SCAN FOR PRICING!



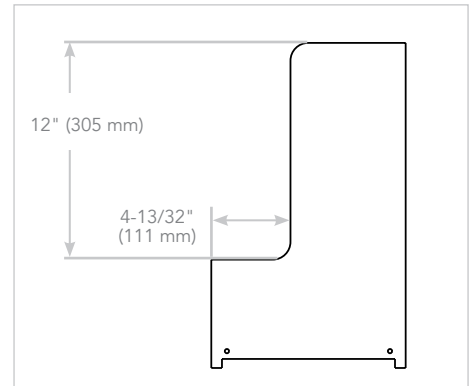
- Designed for 24" and 30" vanity sink base cabinets
- Natural maple dovetail construction with semi-gloss finish
- Full-extension, BLUM soft-close undermount slides
- Patented mounting straps (US Patent No. 9,756,941)
- Anti-skid vinyl lining on lower level
- (6) acrylic bins for upper level
- Mounts to cabinet floor
- Patented design (US Patent No. D854,359)
- TSCA Title VI compliant



441-15VSBSC-1



**441-12VSBSC-1**  
Vanity Organizer for 24"



**PIPE CLEARANCE DIMENSIONS**  
(For both units)



For video visit:  
[rev-a-shelf.com/videos](http://rev-a-shelf.com/videos)

## L-Shaped Vanity Organizer w/ BLUMOTION Soft-Close

PRODUCT	DESCRIPTION	DIMS	MCO	CAB	FINISH	SLP
441-12VSBSC-1	Vanity Organizer for 24"	8-1/2" (216 mm) W x 18-25/32" (477 mm) D x 18-27/32" (479 mm) H	9-1/4" (235 mm)	VBS24	Maple	\$410.35
441-15VSBSC-1	Vanity Organizer for 36"	11-21/32" (291 mm) W x 18-25/32" (477 mm) D x 18-27/32" (479 mm) H	12-5/32" (309 mm)	VSB30	Maple	\$511.00



SCAN FOR PRICING!

# Vanity Storage Rack

## 4VR Series



- Designed for 12", 15", 18", 21" and 24" vanity base cabinets
- Natural maple frame with semi-gloss finish
- (2) non-skid vinyl shelves with acrylic accents
- Mounts to cabinet door
- Patented adjustable door mount brackets provide up to 5" of adjustability (US Patent No. 7,204,569)
- TSCA Title VI compliant

4VR-12-1



Patented adjustable mounting brackets (US Patent No. 7,204,569)



**4VR-12-1**  
Vanity Storage Rack  
(12" version shown)



**4VR-21-1**  
Storage Rack for 21"  
(21" version shown)

### Door Mount Vanity Storage Rack

PRODUCT	DESCRIPTION	DIMS	MCO	CAB	FINISH	SLP
4VR-12-1	Storage Rack for 12"	8-1/4" (210 mm) W x 3-1/8" (79 mm) D x 15-1/2" (394 mm) H	9" (229 mm)	VB12	Maple	\$108.75
4VR-15-1	Storage Rack for 15"	11-1/4" (286 mm) W x 3-1/8" (79 mm) D x 15-1/2" (394 mm) H	12" (305 mm)	VB15	Maple	\$119.20
4VR-18-1	Storage Rack for 18"	14-1/4" (362 mm) W x 3-1/8" (80 mm) D x 15-1/2" (394 mm) H	15" (381 mm)	VB18	Maple	\$137.30
4VR-21-1	Storage Rack for 21"	17-1/4" (438 mm) W x 3-1/8" (80 mm) D x 15-1/2" (394 mm) H	18" (457 mm)	VB21	Maple	\$120.80
4VR-24-1	Storage Rack for 24"	20-1/4" (514 mm) W x 3-1/8" (79 mm) D x 15-1/2" (394 mm) H	21" (533 mm)	VB24	Maple	\$125.70



# 4SOWC Series

## Door Mount Vanity Waste Container



SCAN FOR PRICING!

- Designed for 30" vanity base cabinets
- Single 8 L polymer container, metallic silver
- Natural maple dovetail frame with semi-gloss finish
- Mounts to cabinet door
- Patented adjustable door mount brackets provide up to 5" of adjustability (US Patent No. 7,204,569)
- (1) white lid
- TSCA Title VI compliant



### Door Mount Vanity Waste Container

PRODUCT	DESCRIPTION	DIMS	MCO	CAB	FINISH	SLP
4SOWC-8-1	Single 8 L	10-3/8" (264 mm) W x 7-3/8" (187 mm) D x 12-5/16" (313 mm) H	12" (305 mm)	VSB30	Silver	\$93.40

# 4WCSC Series

## Bottom Mount Waste Container

- Designed for 30" vanity sink base cabinets and 15" base vanity cabinets
- Single 32 and 35 qt. polymer container, gray (32 qt. only) or metallic silver
- Natural maple dovetail frame with semi-gloss finish
- Full-extension, BLUM MOVENTO soft-close undermount slides
- Mounts to cabinet door and floor
- Patented door mount brackets with 5" of adjustability and micro-trim adjuster (US Patent No. 8,388,076)
- Rear storage
- 35 qt. polymer lids available (sold separately)
- TSCA Title VI compliant



**4WCSC-1535DM19-1**  
Single 35 qt. Waste Container,  
Reduced Depth  
(Metallic silver/maple finish shown)



Reduced depth

**blum**

4WCSC-1532DM16-1

### Reduced Depth Bottom Mount Waste Container w/ BLUMOTION Soft-Close

PRODUCT	DESCRIPTION	DIMS	MCO	CAB	FINISH	SLP
4WCSC-1532DM16-1	Single 32 qt.	12" (305 mm) W x 15" (381 mm) D x 19-1/2" (495 mm) H	12" (305 mm)	VB15	Gray/Maple	\$392.95
4WCSC-1535DM19-1	Single 35 qt.	12" (305 mm) W x 18-5/8" (473 mm) D x 19-1/2" (495 mm) H	12" (305 mm)	VB15	Metallic Silver/Maple	\$440.20



# Bottom Mount Waste Container

SCAN FOR PRICING!



## 4WCSC Series

- Designed for 15" vanity base cabinets
- Single 8 L polymer container, metallic silver
- Full-extension, BLUM soft-close undermount slides
- Rear storage
- Mounts to cabinet floor
- (1) white lid
- TSCA Title VI compliant

### Bottom Mount Vanity Waste Container w/ BLUMOTION Soft-Close

PRODUCT	DESCRIPTION	DIMS	MCO	CAB	FINISH	SLP
4WCSC-128-19-1	Single 8 L	8-5/8" (219 mm) W x 18-9/16" (471 mm) D x 13-15/16" (354 mm) H	7-3/4" (197 mm) - FF 8-3/4" (222 mm) - FL	VB15	Metallic Silver/Maple	\$362.65

# Bottom Mount Wood Hamper



For video visit:  
[rev-a-shelf.com/videos](http://rev-a-shelf.com/videos)

## 4WH Series

- Designed for face frame 24" vanity base cabinets
- Single 1.5 BU polymer hamper, white
- Natural maple frame with semi-gloss finish
- Full-extension concealed slides w/ BLUMOTION soft-close
- Mounts to cabinet door and floor
- (1) matching lid
- TSCA Title VI compliant

4WH-VCSC-21DM-1

See Closet section (page 334) for more hampers

### 1.5 BU Bottom Mount Hamper Pullout w/ BLUMOTION Soft-Close

PRODUCT	DESCRIPTION	DIMS	MCO	CAB	FINISH	SLP
4WH-VCSC-21DM-1	Hamper Pullout	20-5/16" (516 mm) W x 18-11/16" (475 mm) D x 21-1/4" (540 mm) H	21" (533 mm)	VB24	Maple	\$474.00

### Accessories

HPB-03323-52	Replacement Hamper	Empty Field!			Polymer	\$54.80
--------------	--------------------	--------------	--	--	---------	---------

Waste  
Blind Corner  
Sink  
Base  
Tail  
Drawer  
Wall  
Vanity  
Closet  
Susan  
Lazy  
LED  
Lighting



SCAN FOR PRICING!

- Designed for face frame 18" vanity height and base height vanity cabinets
- Single 1.5 BU polymer hamper w/ lid, white
- Natural maple frame with semi-gloss finish
- Full-extension with 2" over-travel, ball-bearing, 100 lb. rated slides
- Mounts to cabinet door, rear and side walls
- Adjustable rear mount brackets and pre-assembled door mount brackets
- TSCA Title VI compliant



4VHTM-1520DM-1

See Closet section (page 334) for more hampers

\*Replacement lid Part No: SP-HPB-LID

**Maple Top Mount Pullout Hamper**

PRODUCT	DESCRIPTION	DIMS	MCO	CAB	FINISH	SLP
4VHTM-1520DM-1	1.5 BU Hamper	15" (381 mm) W x 19-7/8" (505 mm) D x 20" (508 mm) H	15" (381 mm)	VB18	White/Maple	\$216.80
HPB-03323-52	Replacement Hamper	14" (356 mm) W x 18-5/8" (473 mm) D x 18-1/4" (464 mm) H (no lid)*			Polymer	\$54.80



SCAN FOR PRICING!

# Steel Top Mount Hamper

## 53TMVH Series



- Designed for full access 24" vanity base cabinets with 5/8" or 3/4" side walls
- Double .85 BU polymer containers, gray and white
- Powder-coated metal frame, white
- Door mount brackets
- Full-extension, 90 lb. rated slides with soft-close
- Mounts to cabinet door and side walls
- Pre-assembled door mount brackets
- (1) gray and (1) white lid

53TMVH-24SCDM-2-FL



**53TMVH-24SCDM-2-FL**  
.85 BU Hamper

See Closet section (page 334) for more hamper

### Steel Top Mount Vanity Hamper Pullout w/ Soft-Close

PRODUCT	DESCRIPTION	DIMS	MCO	CAB	FINISH	SLP
53TMVH-24SCDM-2-FL	Top Mount Hamper	22-1/8" (562 mm) W x 19-3/4" (502 mm) D x 19-1/8" (486 mm) H	22-1/8" (562 mm)	FLFHVB24	White/Gray/Steel	\$527.35

Waste  
Blind Corner  
Sink  
Base  
Tail  
Drawer  
Wall  
Vanity  
Closet  
Lazy Susan  
LED Lighting



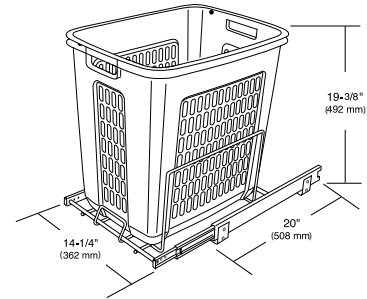


SCAN FOR PRICING!

- Designed for face frame 18" vanity height and base height vanity cabinets
- Single 1.5 BU polymer hamper, white
- 4-screw installation
- Powder-coated white wire frame
- Full-extension, ball-bearing, 100 lb. rated slides
- Mounts to cabinet floor
- Door mount kit available (sold separately)



**HPRV-1520 S**  
1.5 BU Hamper



HPRV-1520 S

See Closet section (page 334) for more hampers

### Polymer Bottom Mount Hamper Pullout

PRODUCT	DESCRIPTION	DIMS	MCO	CAB	FINISH	SLP
HPRV-1520 S	1.5 BU Hamper	14-1/4" (362 mm) W x 20" (508 mm) D x 19-3/8" (492 mm) H	14-1/2" (368 mm)	VB18	White/Aluminum	\$180.65

### Accessories

HPB-03323-52	Replacement Hamper	14" (356 mm) W x 18-5/8" (473 mm) D x 18-1/4" (464 mm) H			Polymer	\$54.80
RV DM KIT	Heavy Duty Door Mount Kit				White	\$41.90



SCAN FOR PRICING!

# Wire Bottom Mount Hamper

## HRV Series



- Designed for 15" and 18" vanity cabinets
- Single 1- 1.7 BU wire hampers
- 4-screw installation
- Chrome-plated or powder-coated white wire frame
- Full-extension, ball-bearing, 100 lb. rated slides
- Mounts to cabinet floor
- (1) 1.7 BU machine washable canvas liner included with HRV-1520 S CR
- Door mount kit available (sold separately)

HRV-1520 S CR



HRV-1215 S  
1 BU Hamper



HRV-1515 S  
1.3 BU Hamper

See Closet section (page 334) for more hampers

### Wire Bottom Mount Hamper Pullout

PRODUCT	DESCRIPTION	DIMS	MCO	CAB	FINISH	SLP
HRV-1215 S	1.0 BU Hamper	11-7/8" (302 mm) W x 18" (457 mm) D x 14-3/4" (375 mm) H	11-1/2" (292 mm) - FF 12" (305 mm) - FL	VB15	White	\$223.15
HRV-1220 S	1.4 BU Hamper	11-7/8" (302 mm) W x 18" (457 mm) D x 19-3/8" (492 mm) H	11-3/4" (298 mm) - FF 12" (305 mm) - FL	VB15	White	\$224.15
HRV-1515 S	1.3 BU Hamper	14-3/4" (375 mm) W x 18" (457 mm) D x 14-3/4" (375 mm) H	14-1/2" (368 mm) - FF 14-3/4" (375 mm) - FL	VB18	White	\$228.10
HRV-1520 S	1.7 BU Hamper	14-3/4" (375 mm) W x 18" (457 mm) D x 19-3/8" (492 mm) H	14-1/2" (368 mm) - FF 14-3/4" (375 mm) - FL	VB18	White	\$244.30

### Wire Bottom Mount Hamper Pullout w/ Canvas Liner

HRV-1520 S CR	1.7 BU Hamper	14-3/4" (375 mm) W x 18" (457 mm) D x 19-3/8" (492 mm) H	14-1/2" (368 mm) - FF 14-3/4" (375 mm) - FL	VB18	Chrome	\$260.55
---------------	---------------	--	--	------	--------	----------

### Accessories

HRV-1520-LINER	1.7 BU Replacement Liner				Tan	\$55.80
RV DM KIT	Heavy Duty Door Mount Kit				White	\$41.90

NOTE: Only HRV-1520 S CR includes (1) liner



Waste

Blind Corner

Sink

Base

Tail

Drawer

Wall

Vanity

Closet

Lazy Susan

LED Lighting



SCAN FOR PRICING!



- Designed for 18" base height vanity cabinets
- Single 2.1 BU canvas liner, tan (machine washable)
- Anodized aluminum frame, metallic silver or white base
- Full-extension with 1-1/2" over-travel, ball-bearing, 150 lb. rated, concealed slides with Rev-A-Motion® soft-open/soft-close (US Patent No. 8,091,971)
- Mounts to cabinet door and floor
- Patented door mount brackets with 5" of adjustability (US Patent No. 8,939,526)



5190-15RM-117



**5190-15RM-111**  
Canvas Hamper w/ White Base

See Closet section (page 334) for more hampers

**Aluminum Bottom Mount Canvas Hamper w/ Rev-A-Motion®**

PRODUCT	DESCRIPTION	DIMS	MCO	CAB	FINISH	SLP
5190-15RM-117	2.1 BU Canvas Hamper w/ Silver Base	14-5/16" (364 mm) W x 18-1/32" (458 mm) D x 19-11/32" (491 mm) H	14-1/2" (368 mm)	VB18	Silver/Tan	\$574.20
5190-15RM-111	2.1 Canvas Hamper w/ White Base	14-5/16" (364 mm) W x 18-1/32" (458 mm) D x 19-11/32" (491 mm) H	14-1/2" (368 mm)	VB18	White/Tan	\$568.40
<b>Accessories</b>						
5190-LINER	Canvas Liner Replacement	12" (305 mm) W x 18" (457 mm) D x 16" (406 mm) H			Tan	\$60.90



SCAN FOR PRICING!

# Aluminum Bottom Mount Wire Hampers

## CH Series



- Designed for 27" base height vanity cabinets
- Double 1.2 BU wire hampers, with (2) canvas liners, machine washable
- Anodized aluminum frame, metallic silver or white base
- Full-extension with 1-1/2" over-travel, ball-bearing, 150 lb. rated, concealed slides with Rev-A-Motion® soft-open/soft-close (US Patent No. 8,091,971)
- Mounts to cabinet door and floor
- Patented door mount brackets with 5" of adjustability (US Patent No. 8,939,526)

CH-241419-RM-217



**CH-241419-RM-217**  
Double 1.2 BU Hampers  
w/ Silver Base



**CH-241419-RM-211**  
Double 1.2 BU Hampers  
w/ White Base

See Closet section (page 334) for more hampers



For video visit:  
[rev-a-shelf.com/videos](http://rev-a-shelf.com/videos)

### Aluminum Bottom Mount Wire Hamper w/ Rev-A-Motion®

PRODUCT	DESCRIPTION	DIMS	MCO	CAB	FINISH	SLP
CH-241419-RM-217	Double 1.2 BU Hampers w/ Silver Base	24" (610 mm) W x 13-15/16" (354 mm) D x 18-7/8" (479 mm) H	24" (610 mm)	VB27	Silver/Tan	\$736.00
CH-241419-RM-211	Double 1.2 BU Hampers w/ White Base	24" (610 mm) W x 13-15/16" (354 mm) D x 18-7/8" (479 mm) H	24" (610 mm)	VB27	White/Tan	\$725.45

### Accessories

5CHB-Liner	(1) Replacement Canvas Liner				Tan	\$32.20
------------	------------------------------	--	--	--	-----	---------

Waste  
Blind Corner  
Sink  
Base  
Tail  
Drawer  
Wall  
Vanity  
Closet  
Susan  
Lazy  
LED  
Lighting



# 4WH Series

# Bottom Mount Rev-A-Motion®



SCAN FOR PRICING!

- Designed for 18" full height vanity and base height vanity cabinets
- Single 1.5 BU polymer hamper w/ lid, white
- Natural maple frame with semi-gloss finish
- Full-extension with 1-1/2" over-travel, ball-bearing, 150 lb. rated, concealed slides with Rev-A-Motion® soft-open/soft-close (US Patent No. 8,091,971)
- Mounts to cabinet door and floor
- Pre-assembled door mount brackets
- TSCA Title VI compliant



4WH-RM-15DM-1

US PATENT NO: 8,091,971



See Closet section (page 334) for more hampers

\*Replacement lid Part No: SP-HPB-LID

### Bottom Mount Hamper Pullout w/ Rev-A-Motion®

PRODUCT	DESCRIPTION	DIMS	MCO	CAB	FINISH	SLP
4WH-RM-15DM-1	1.5 BU Hamper	14-1/4" (362 mm) W x 19-3/4" (502 mm) D x 21" (533 mm) H	14-1/2" (381 mm) - FF 14-1/2" (381 mm) - FL	FHVB18	White/Maple	\$517.35
HPB-03323-52	Replacement Hamper	14" (356 mm) W x 18-5/8" (473 mm) D x 18-1/4" (464 mm) H (no lid)*			Polymer	\$54.80



SCAN FOR PRICING!

# Pullout Vanity Fillers

## 432-VF Series



432-VF26SC-3



- Designed for 3" and 6" vanity filler applications
- Natural maple frame with semi-gloss finish
- Full-extension, BLUM soft-close undermount slides
- Patented undermount soft-close slide system (US Patent No. 8,733,865)
- Mounts between cabinets
- Adjustable shelves with clear rails and non-skid vinyl lining
- (4) or (6) polycarbonate bins
- TSCA Title VI compliant



**432-VF30SC-6**  
6" Vanity Base Height Filler w/ (6) Bins

**NOTE:** Polycarbonate Bins = 7" (178 mm) W x 1-3/4" (45 mm) D x 2-1/4" (57 mm) H

Vanity Filler Pullout w/ BLUMOTION Soft-Close				
PRODUCT	DESCRIPTION	DIMS	FINISH	SLP
432-VF26SC-3	3" Vanity Filler w/ (4) Bins	3" (76 mm) W x 19" (483 mm) D x 26" (660 mm) H	Maple	\$436.15
432-VF26SC-6	6" Vanity Filler w/ (4) Bins	6" (152 mm) W x 19" (483 mm) D x 26" (660 mm) H	Maple	\$523.90
432-VF30SC-3	3" Vanity Base Height Filler w/ (6) Bins	3" (76 mm) W x 19" (483 mm) D x 30" (762 mm) H	Maple	\$531.00
432-VF30SC-6	6" Vanity Base Height Filler w/ (6) Bins	6" (152 mm) W x 19" (483 mm) D x 30" (762 mm) H	Maple	\$638.45



SCAN FOR PRICING!



- Designed for face frame 12" vanity cabinets with full height door
- Natural maple frame with semi-gloss finish
- Full-extension, BLUM soft-close undermount slides
- Mounts to cabinet door and floor
- Patented door mount brackets provide 5" of adjustability and include micro-trim adjuster (US Patent No. 8,388,076)
- Adjustable shelves with clear rails and non-skid vinyl lining
- (2) stainless steel bins
- Patented design (US Patent No. D596,424)
- TSCA Title VI compliant



445-VCG25SC-8



**445-VCG25SC-8**  
8" Base Height  
Vanity Grooming Organizer

**Grooming Organizer Pullout w/ BLUMOTION Soft-Close**

PRODUCT	DESCRIPTION	DIMS	MCO	CAB	FINISH	SLP
445-VCG20SC-8	8" Vanity Grooming Organizer	8-7/16" (214 mm) W x 19-9/16" (497 mm) D x 20-3/8" (518 mm) H	9" (227 mm)	FHVB12	Wood	\$490.25
445-VCG25SC-8	8" Base Height Vanity Grooming Organizer	8-7/16" (214 mm) W x 19-9/16" (497 mm) D x 25-9/16" (649 mm) H	9" (227 mm)	FHVB12	Wood	\$556.95

Waste

Blind Corner

Sink

Base

Tall

Drawer

Wall

Vanity

Closet

Lazy Susan

LED Lighting



# Vanity Tiered Organizer

## 448 Series

SCAN FOR PRICING!



- Designed for face frame 12" vanity cabinets with full height door
- Natural maple frame with semi-gloss finish
- Full-extension, BLUM soft-close undermount slides
- Mounts to cabinet door and floor
- Patented door mount brackets provide 5" of adjustability and include micro-trim adjuster (US Patent No. 8,388,076)
- Adjustable shelves with clear rails and non-skid vinyl lining
- (6) or (9) polycarbonate bins
- Patented mounting straps (US Patent No. 9,756,941)
- TSCA Title VI compliant

448-VC25SC-8



**448-VC25SC-8**  
8" Base Height Vanity Organizer  
w/ (9) Bins

### Tiered Vanity Organizer Pullout w/ BLUMOTION Soft-Close

PRODUCT	DESCRIPTION	DIMS	MCO	CAB	FINISH	SLP
448-VC20SC-8	8" Vanity Organizer w/ (6) Bins	8-7/16" (214 mm) W x 19-9/16" (497 mm) D x 20-3/8" (518 mm) H	8-1/2" (216 mm) - FF 8-1/2" (216 mm) - FL	FHVB12	Wood	\$636.40
448-VC25SC-8	8" Base Height Vanity Organizer w/ (9) Bins	8-7/16" (214 mm) W x 19" (483 mm) D x 25-9/16" (649 mm) H	8-1/2" (216 mm) - FF 8-1/2" (216 mm) - FL	FHVB12	Wood	\$739.05

**NOTE:** Polycarbonate Bins = 7" (178 mm) W x 1-3/4" (45 mm) D x 2-1/4" (57 mm) H

Waste

Blind Corner

Sink

Base

Tail

Drawer

Wall

Vanity

Closet

Lazy Susan

LED Lighting



SCAN FOR  
PRICING!**8-010**

- Designed for 33" and 36" sink base cabinets or 24" single door sink base cabinets
- Single black polymer container with built-in handle, 14 or 15 L
- Stainless steel or white lacquer finish
- Lid rises as container pivots out
- Mounts to cabinet door, floor and side walls

**8-700**

- Designed for full access 36" sink base cabinets
- Single white polymer bin with built-in handle, 20 L
- Lid rises as container pivots out
- Mounts to cabinet door and side walls



8-010314-15

**8-010212-14**14 L Container  
(White lacquer finish shown)**8-010412-15**15 L Container, White  
(White lacquer finish shown)**8-700411-20**20 L Sink Base Container  
(White polymer finish shown)**Under Sink Waste Container Pivot Outs**

PRODUCT	DESCRIPTION	DIMS	MCO	CAB	FINISH	SLP
8-010212-14	Single 14 L	11" (279 mm) W x 10-1/2" (267 mm) D x 17-1/8 - 11" (435 - 279 mm) H	13-3/4" (350 mm)	VSB33	White Lacquered	\$122.40
8-010412-15	Single 15 L	11-3/4" (341 mm) W x 10-1/2" (271 mm) D x 15-3/16" (386 mm) H	13-3/4" (350 mm) - FF 13-3/4" (350 mm) - FL	VSB33	White Lacquered	\$135.15
8-010314-15	Single 15 L	11-3/4" (341 mm) W x 10-1/2" (271 mm) D x 15-3/16" (386 mm) H	13-3/4" (350 mm) - FF 13-3/4" (350 mm) - FL	VSB33	Stainless Steel	\$168.80
8-700411-20	Single 20 L	15-3/4" (400 mm) W x 7-1/4" (184 mm) D x 18" (457 mm) H	16-1/4" (413 mm)	VSB33	White Polymer	\$216.90



SCAN FOR PRICING!

# Chrome Universal Waste Pullout

## RUKD Series



RUKD-820-1



**RUKD-1432RB-1**  
Single 32 qt. Waste Container  
w/ Rear Basket

- Designed for 27", 30" and 33" Sink Base
- Universal frame configuration
- Single 20 qt. polymer containers, gray
- Chrome-plated welded wire frame
- Full-extension, ball-bearing, 100 lb. rated slides
- Clip-on handle
- RB versions come with a rear storage basket
- 4-screw installation
- Mounts to cabinet floor
- RV DMKIT 17 door mount kit (sold separately)

### Chrome Universal Waste Pullout

PRODUCT	DESCRIPTION	DIMS	MCO	CAB	FINISH	SLP
RUKD-820-1	Single 20 qt.	8-1/2" (216 mm) W x 16-1/8" (410 mm) D x 16-5/8" (422 mm) H 14-11/32" (364 mm) W x 16-1/8" (410 mm) D x 16-5/8" (422 mm) H	8-1/2" (216 mm) 14-1/2" (368 mm)	B12 B18	Gray/Chrome	\$99.75
RUKD-1420RB-1	Single 20 qt. w/ Rear Basket	14-1/2" (368 mm) W x 15-3/4" (400 mm) D x 16-5/8" (422 mm) H	14-1/2" (368 mm)	B18	Gray/Chrome	\$119.75
RUKD-932-1	Single 32 qt.	9-3/8" (238 mm) W x 15-3/4" (400 mm) D x 19-1/2" (495 mm) H 14-1/2" (368 mm) W x 16-7/16" (418 mm) D x 19-1/2" (495 mm) H	9-1/2" (241 mm) 14-1/2" (368 mm)	B12	Gray/Chrome	\$102.65
RUKD-1432RB-1	Single 32 qt. w/ Rear Basket	14-1/2" (368 mm) W x 16-7/16" (418 mm) D x 19-1/2" (495 mm) H	14-1/2" (368 mm)	B18	Gray/Chrome	\$122.65

### Accessories

RV DM17 KIT	Heavy Duty Door Mount Kit				Chrome	\$42.20
-------------	---------------------------	--	--	--	--------	---------

# Aluminum Bottom Mount Rev-A-Motion®

## 5149 Series



5149-15DM18-117



- Designed for 15" base height vanity cabinets
- Single 35 qt. polymer containers, metallic silver or white
- Anodized aluminum frame, metallic silver or white base
- Full-extension with 1-1/2" over-travel, ball-bearing, 150 lb. rated, concealed slides with Rev-A-Motion® soft-open/soft-close (US Patent No. 8,091,971)
- Patented door mount brackets with 5" of adjustability (US Patent No. 8,939,526)



See page 51 for more information

### Aluminum Bottom Mount Waste Container Pullout w/ Rev-A-Motion® - Reduced Depth

PRODUCT	DESCRIPTION	DIMS	MCO	CAB	FINISH	SLP
5149-15DM18-111	Single 35 qt.	12-1/8" (308 mm) W x 16" (457 mm) D x 19-9/32" (495 mm) H	11-1/2" (292 mm) - FF/ 12-1/4" (311 mm) - FL	VB15	White/Alum	\$456.30
5149-15DM18-117	Single 35 qt.	12-1/8" (308 mm) W x 16" (457 mm) D x 19-9/32" (495 mm) H	11-1/2" (292 mm) - FF/ 12-1/4" (311 mm) - FL	VB15	Silver/Alum	\$456.30

Waste  
Blind Corner  
Sink  
Base  
Tail  
Drawer  
Wall  
Vanity  
Closet  
Susan  
Lazy  
LED  
Lighting

## 5SBWC Series

# Sink Base Waste Pullout



SCAN FOR PRICING!

- Designed for 24" and larger sink base cabinets
- (1) 8 L and (1) 15 L bin, both with handles
- Full-extension, under mount, 75 lb. rated, concealed slides with soft-close
- Mounts to cabinet floor
- (1) green lid and (1) white lid
- Door mounting kit (sold separately)



For video visit:  
[rev-a-shelf.com/videos](http://rev-a-shelf.com/videos)



5SBWC-815S-1

### Wire Under Sink Waste Pullout

PRODUCT	DESCRIPTION	DIMS	MCO	CAB	FINISH	SLP
5SBWC-815S-1	(1) 8 L and (1) 15 L Bin	8-15/16" (211 mm) W x 18-19/32" (473 mm) D x 14-1/4" (362 mm) H	9" (227 mm)	VSB24+	Silver	\$189.65

### Accessories

5WB-DMKIT	Door Mount Kit				Chrome	\$42.35
-----------	----------------	--	--	--	--------	---------

## 5SBWCC Series

# Sink Base Waste & Cleaning Pullout

- Designed for 24" and larger sink base cabinets
- (1) 8 L with removable rack and (2) 1 L spray bottles
- Full-extension, under mount, 75 lb. rated, concealed slides with soft-close
- Mounts to cabinet floor
- (1) green lid
- Door mounting kit (sold separately)



For video visit:  
[rev-a-shelf.com/videos](http://rev-a-shelf.com/videos)



5SBWCC-815S-1

### Wire Under Sink Waste & Cleaning Pullout

PRODUCT	DESCRIPTION	DIMS	MCO	CAB	FINISH	SLP
5SBWCC-8S-1	(1) 8 L and (2) 1 L Bottles	8-15/16" (227 mm) W x 18-19/32" (473 mm) D x 14-1/4" (362 mm) H	9" (227 mm)	VSB24+	Silver	\$157.90

### Accessories

5WB-DMKIT	Door Mount Kit				Chrome	\$42.35
-----------	----------------	--	--	--	--------	---------



SCAN FOR PRICING!

# Vanity Drip Tray

## SBVDT Series



- Designed for installation in new 24" to 36" vanity sink base cabinets
- Glossy polystyrene construction, almond or metallic silver
- Drop-in installation
- Protects the bottom of your cabinet from water damage
- Recommended for new construction only

SBVDT-2730-A-1



S: Metallic Silver, A: Almond

See sink section page 97 for sink base version

Tray Capacity	
SBVDT-2124	7/8 qt.
SBVDT-2730	1-1/4 qt.
SBVDT-3336	1-1/2 qt.

### Vanity Drip Tray

PRODUCT	DESCRIPTION	DIMS	MIN TRIM	FINISH	SLP
SBVDT-2124-A-1	Drip Tray	22-1/2" (572 mm) W x 20-1/4" (515 mm) D x 3/4" (19 mm) H	19-1/2" (495 mm) W x 18-1/2" (470 mm) D	Almond	\$58.45
SBVDT-2124-S-1	Drip Tray	22-1/2" (572 mm) W x 20-1/4" (515 mm) D x 3/4" (19 mm) H	19-1/2" (495 mm) W x 18-1/2" (470 mm) D	Metallic Silver	\$64.40
SBVDT-2730-A-1	Drip Tray	28-1/2" (724 mm) W x 20-1/4" (515 mm) D x 3/4" (19 mm) H	25-1/2" (648 mm) W x 18-1/2" (470 mm) D	Almond	\$64.95
SBVDT-2730-S-1	Drip Tray	28-1/2" (724 mm) W x 20-1/4" (515 mm) D x 3/4" (19 mm) H	25-1/2" (648 mm) W x 18-1/2" (470 mm) D	Metallic Silver	\$71.50
SBVDT-3336-A-1	Drip Tray	34-1/2" (876 mm) W x 20-1/4" (515 mm) D x 3/4" (19 mm) H	31-1/2" (800 mm) W x 18-1/2" (470 mm) D	Almond	\$72.20
SBVDT-3336-S-1	Drip Tray	34-1/2" (876 mm) W x 20-1/4" (515 mm) D x 3/4" (19 mm) H	31-1/2" (800 mm) W x 18-1/2" (470 mm) D	Metallic Silver	\$79.45

### (12) Vanity Drip Trays

SBVDT-2124-A-12	(12) Drip Trays	22-1/2" (572 mm) W x 20-1/4" (515 mm) D x 3/4" (19 mm) H	19-1/2" (495 mm) W x 18-1/2" (470 mm) D	Almond	\$49.75
SBVDT-2124-S-12	(12) Drip Trays	22-1/2" (572 mm) W x 20-1/4" (515 mm) D x 3/4" (19 mm) H	19-1/2" (495 mm) W x 18-1/2" (470 mm) D	Metallic Silver	\$54.80
SBVDT-2730-A-12	(12) Drip Trays	28-1/2" (724 mm) W x 20-1/4" (515 mm) D x 3/4" (19 mm) H	25-1/2" (648 mm) W x 18-1/2" (470 mm) D	Almond	\$55.55
SBVDT-2730-S-12	(12) Drip Trays	28-1/2" (724 mm) W x 20-1/4" (515 mm) D x 3/4" (19 mm) H	25-1/2" (648 mm) W x 18-1/2" (470 mm) D	Metallic Silver	\$61.05
SBVDT-3336-A-12	(12) Drip Trays	34-1/2" (876 mm) W x 20-1/4" (515 mm) D x 3/4" (19 mm) H	31-1/2" (800 mm) W x 18-1/2" (470 mm) D	Almond	\$61.65
SBVDT-3336-S-12	(12) Drip Trays	34-1/2" (876 mm) W x 20-1/4" (515 mm) D x 3/4" (19 mm) H	31-1/2" (800 mm) W x 18-1/2" (470 mm) D	Metallic Silver	\$67.85